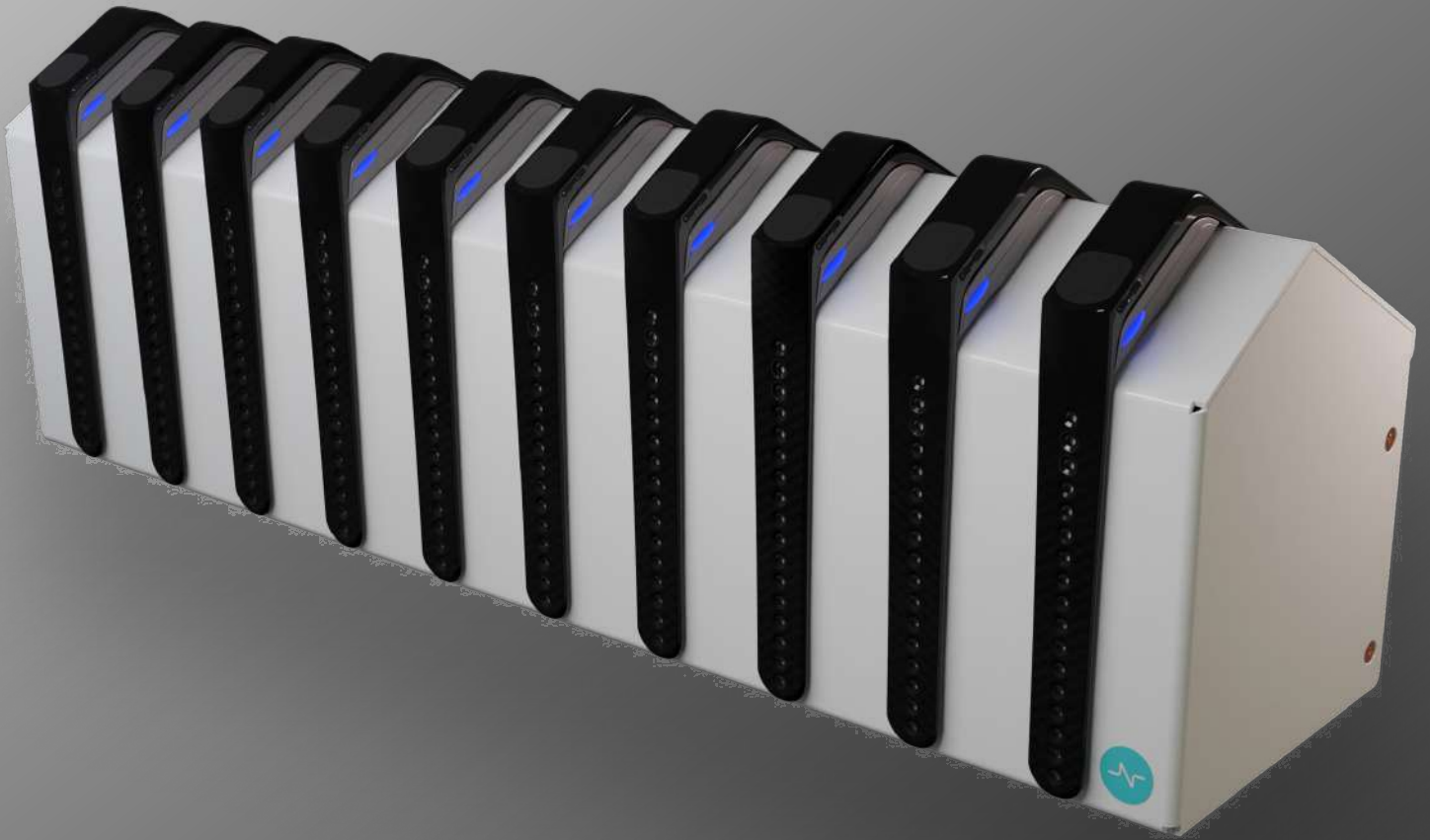


Power House

Assembly Guide



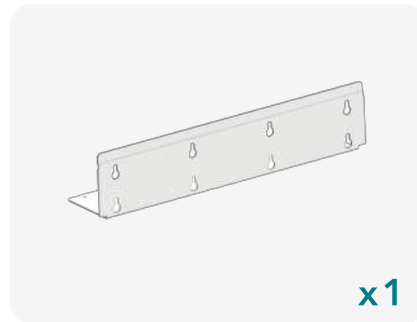
What's Included

Main Body



x1

Back Plate



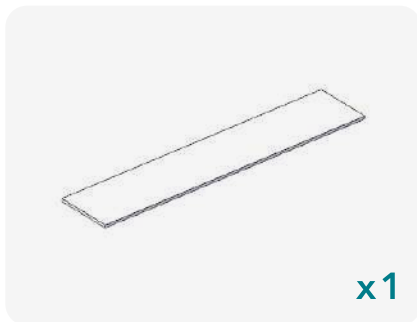
x1

USB Hub + Power Supply



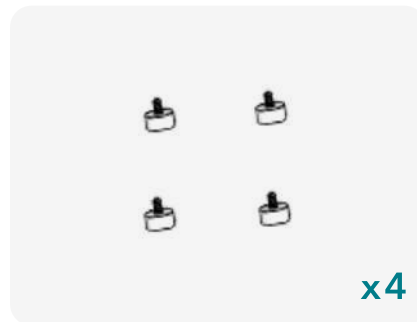
x1

Hub Mounting Tape



x1

Screw-On Feet



x4

What You Need

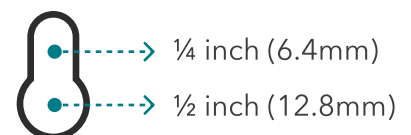
Flat-Head Screwdriver



Hardware for Wall Mounting (Optional)

If wall mounting the Power House, select the appropriate hardware for wall construction.

Keyhole Diameter Measurements



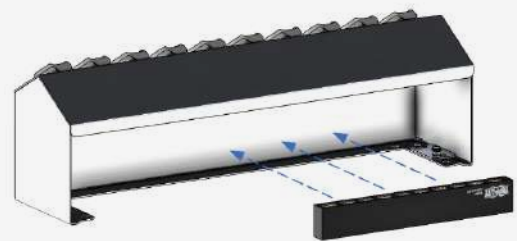
Assembly Steps

1



Apply the Hub Mounting Tape to the USB Hub.

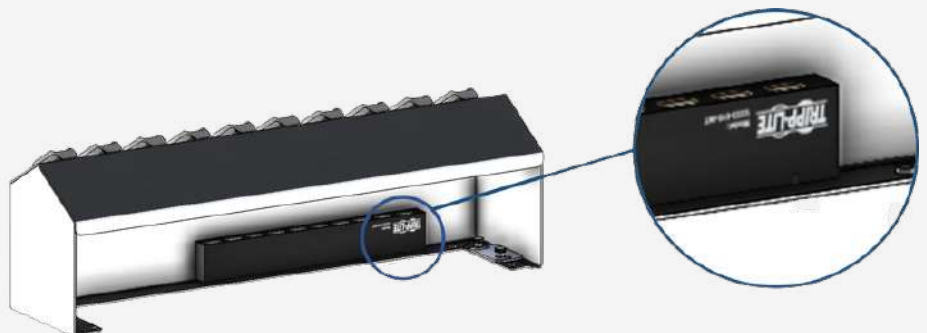
2



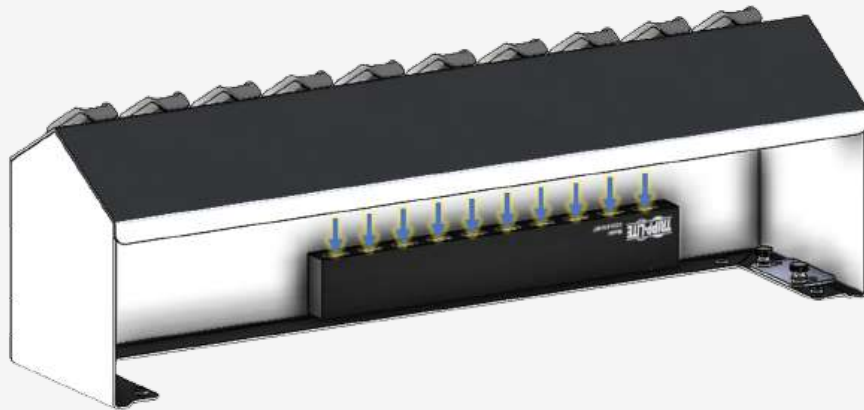
Adhere the USB Hub to the interior face of the Main Body.

Note

The USB Hub needs to be oriented top-down with ports facing up.



3

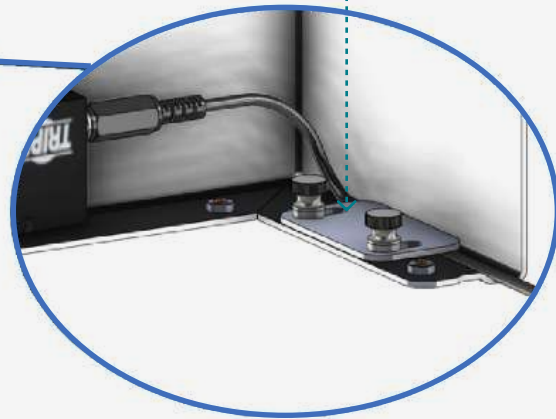


Plug in each charging cradle into the USB Hub.

Note

Charging cradles may be plugged into the USB Hub in any order. Power is being supplied equally to each port.

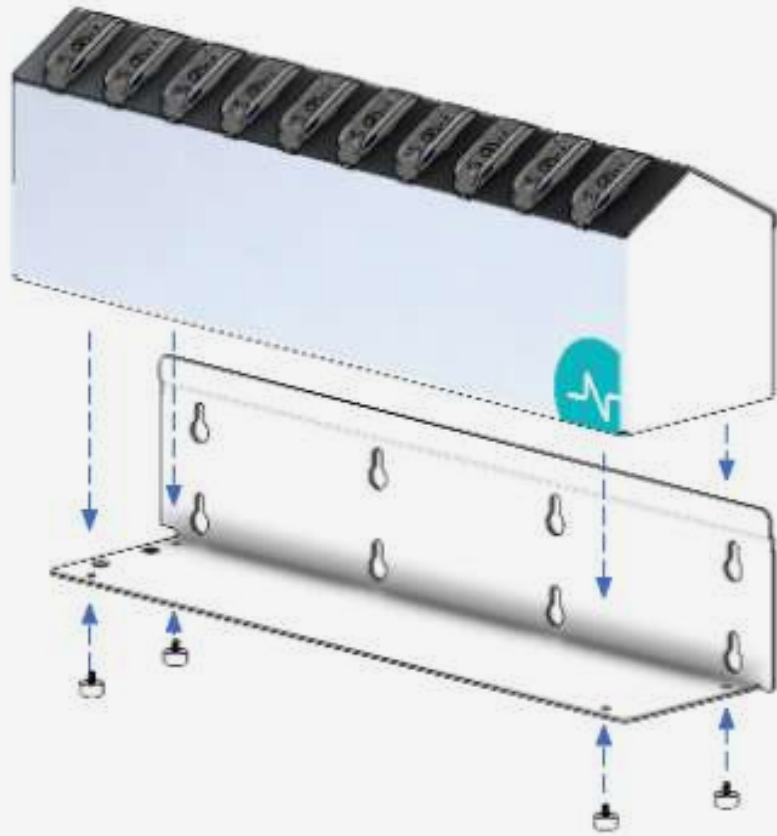
4



Cable Strain Relief Clamp
for Power Supply

Secure the Power Supply chord using the
Cable Strain Relief Clamp as shown.

5



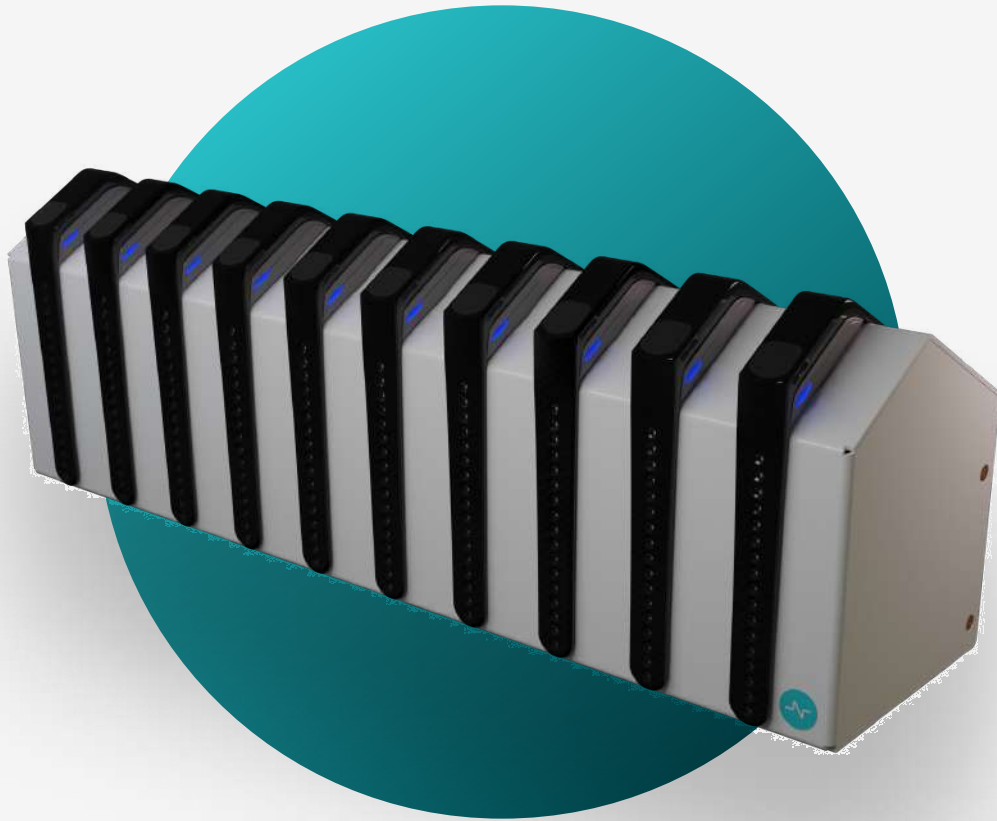
Slide the Main Body onto the Back Plate and tighten the Screw-On Feet with a Flat-Head Screwdriver.

Optional

If wall mounting the Power House, attach the Back Plate to a suitable wall structure with appropriate hanging hardware (e.g., drywall anchors or plugs, etc.) before sliding on the Main Body.

Finished!

Plug in and check to see that each cradle is receiving power (indicated by red LED light).



Note

The Power House is designed for indoor use and installation only. Clean as needed with isopropyl alcohol wipes. Do not use bleach.