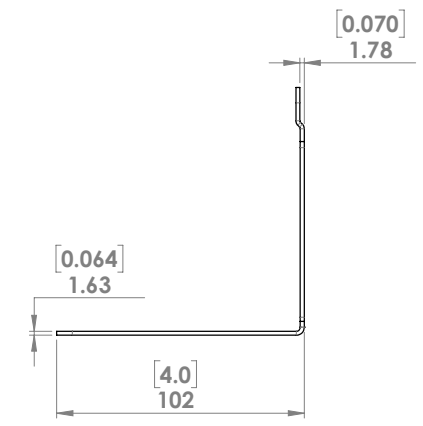
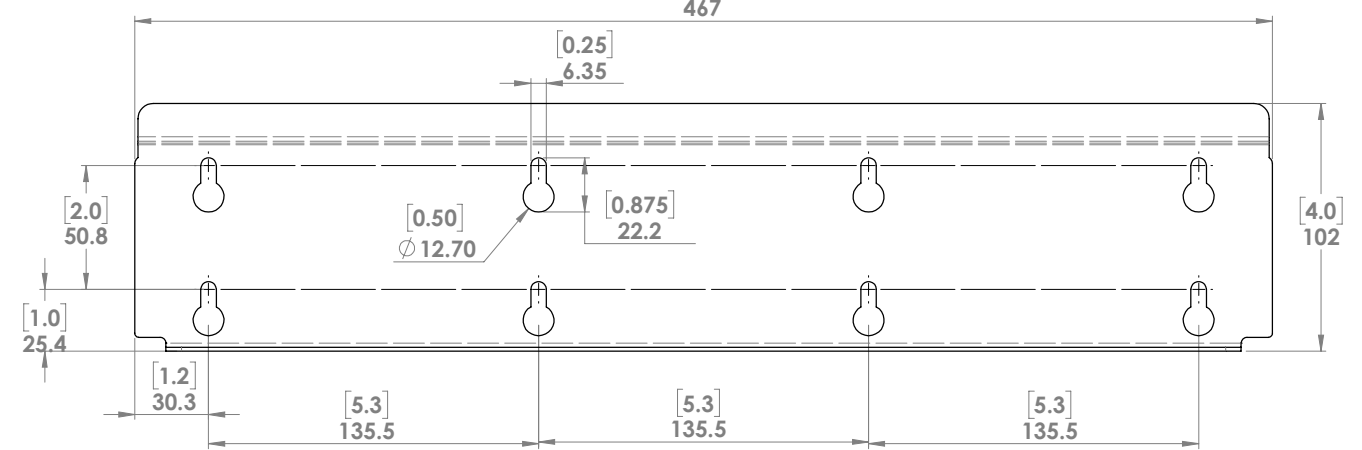
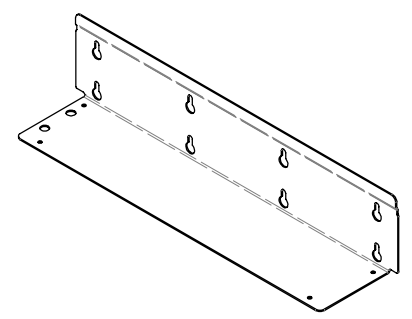


4

3

2

1



Mild Steel, 1.6mm thick  
Finish: Powdercoat white gloss.

THE INFORMATION CONTAINED IN THIS DRAWING IS THE SOLE PROPERTY OF NYMI INC. ANY REPRODUCTION IN PART OR WHOLE WITHOUT THE WRITTEN PERMISSION OF NYMI IS PROHIBITED.

<b>NYMI INC.</b>			UNLESS OTHERWISE SPECIFIED DIMENSIONS ARE IN mm TOLERANCES ARE IN ACCORDANCE WITH ISO 2768-m	TITLE <b>Wall Mount Plate</b>
DRAWN	GS	DATE	20221028	THIRD ANGLE PROJECTION
MATERIAL AND FINISH		SEE DRAWING NOTES		
DO NOT SCALE DRAWING CAD GENERATED DRAWING DO NOT MANUALLY UPDATE				
SIZE	DWG. NO.	REV.		
B	--	-		
SCALE 1:5			SHEET 2 OF 3	

4

3

2

1