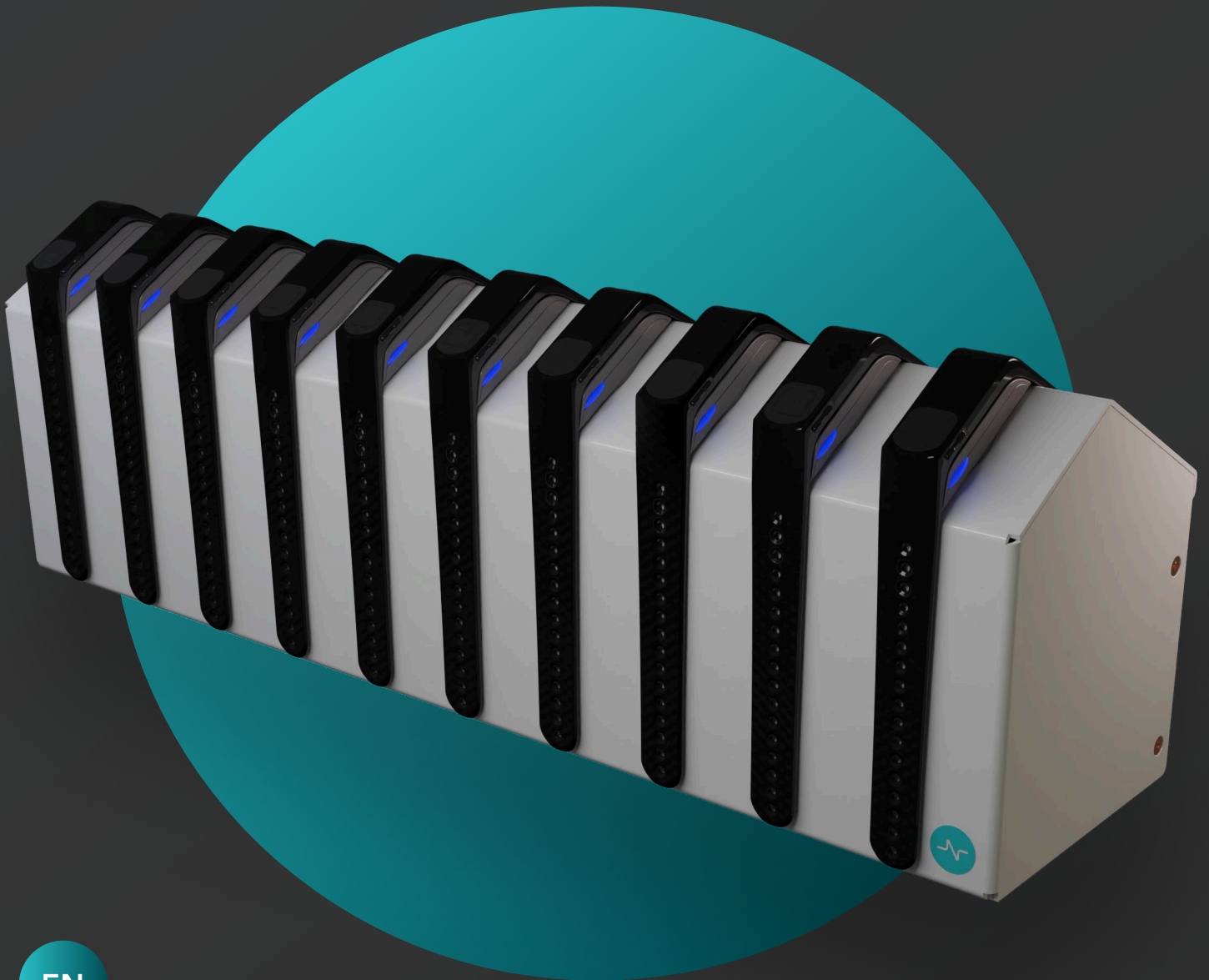




Power House

Assembly Guide



EN

What's Included

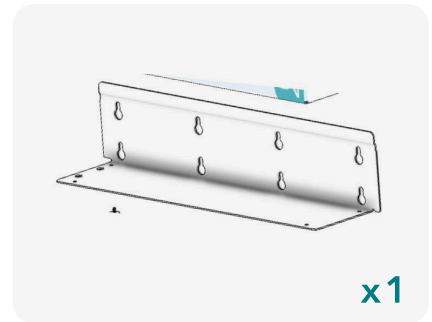
Main Body



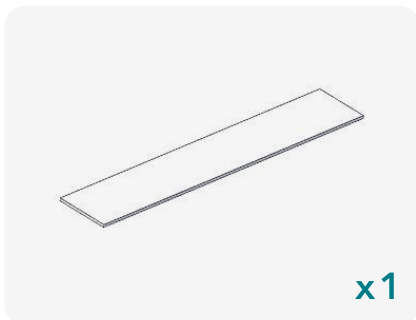
USB Hub + Power Supply



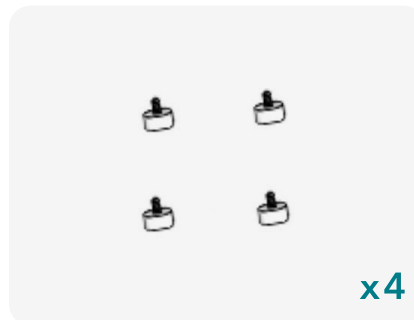
Back Plate



Double-Sided Tape Strip



Screw-On Feet



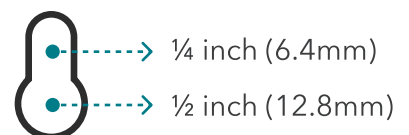
What You Need

Flat-Head Screwdriver



Hanging Hardware (Optional)

If mounting the Power House, select the appropriate hardware for wall construction.



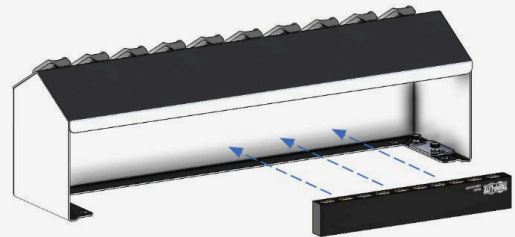
Assembly Steps

1



Apply the Double-Sided Tape Strip to the USB Hub.

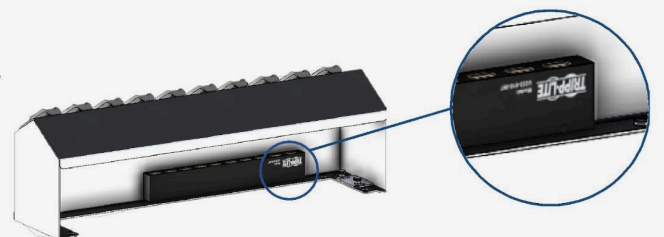
2



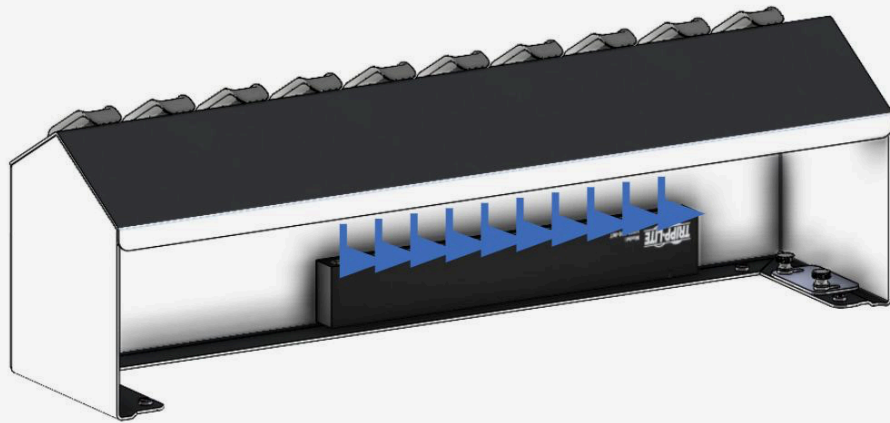
Adhere the USB Hub to the interior face of the Main Body.

Note

The USB Hub needs to be oriented top-down with ports facing up.



3

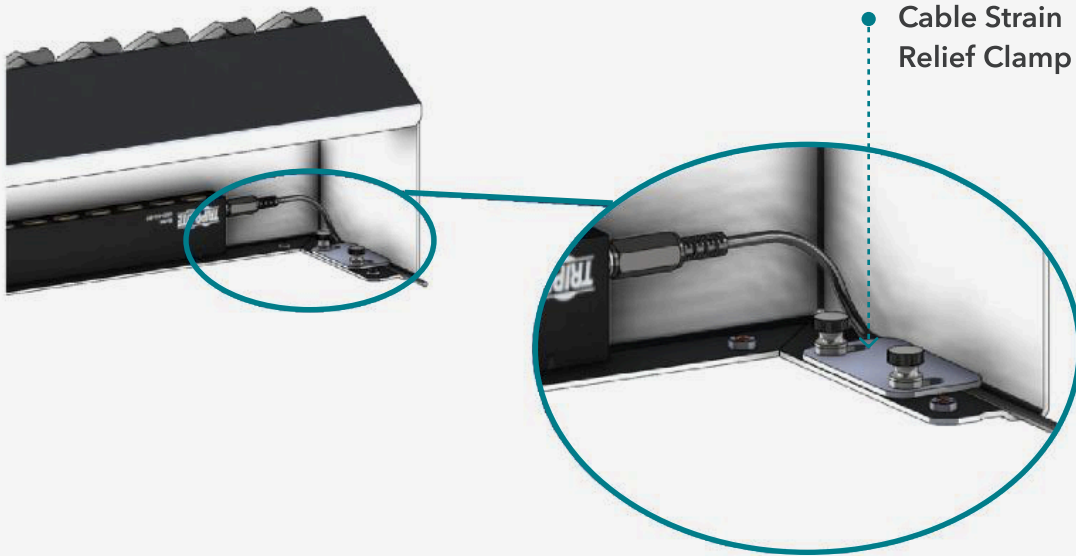


Plug in each charging cradle into the USB Hub.

Note

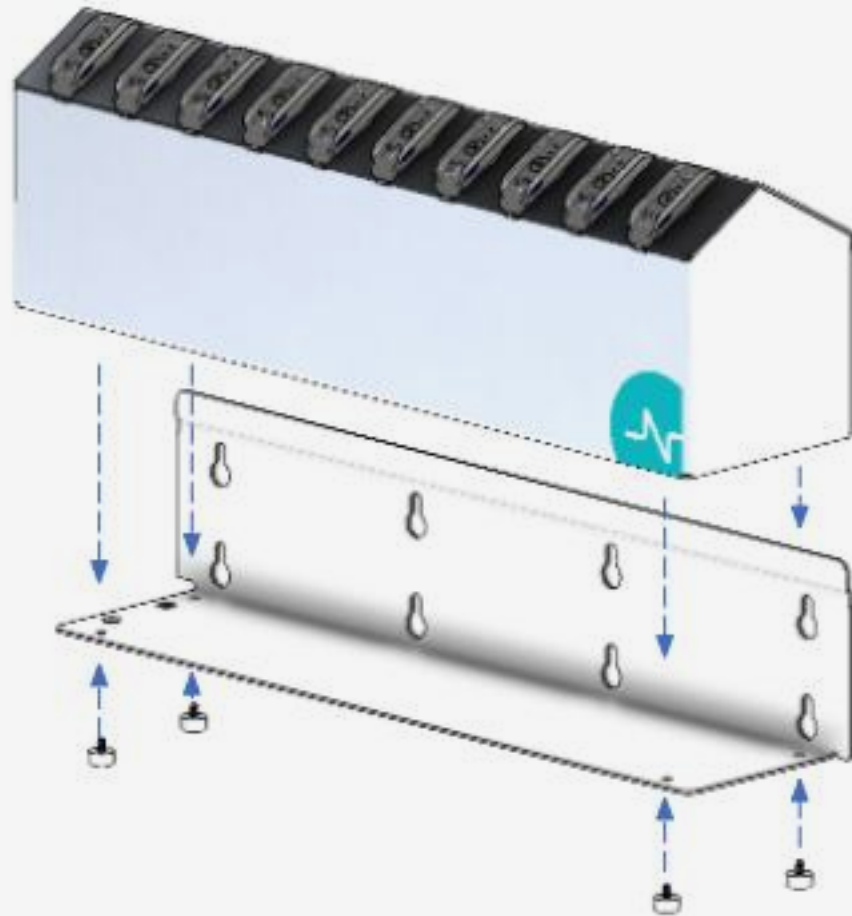
Charging cradles may be plugged into the USB Hub in any order. Power is being supplied equally to each port.

4



Secure the Power Supply chord using the Cable Strain Relief Clamp as shown.

5

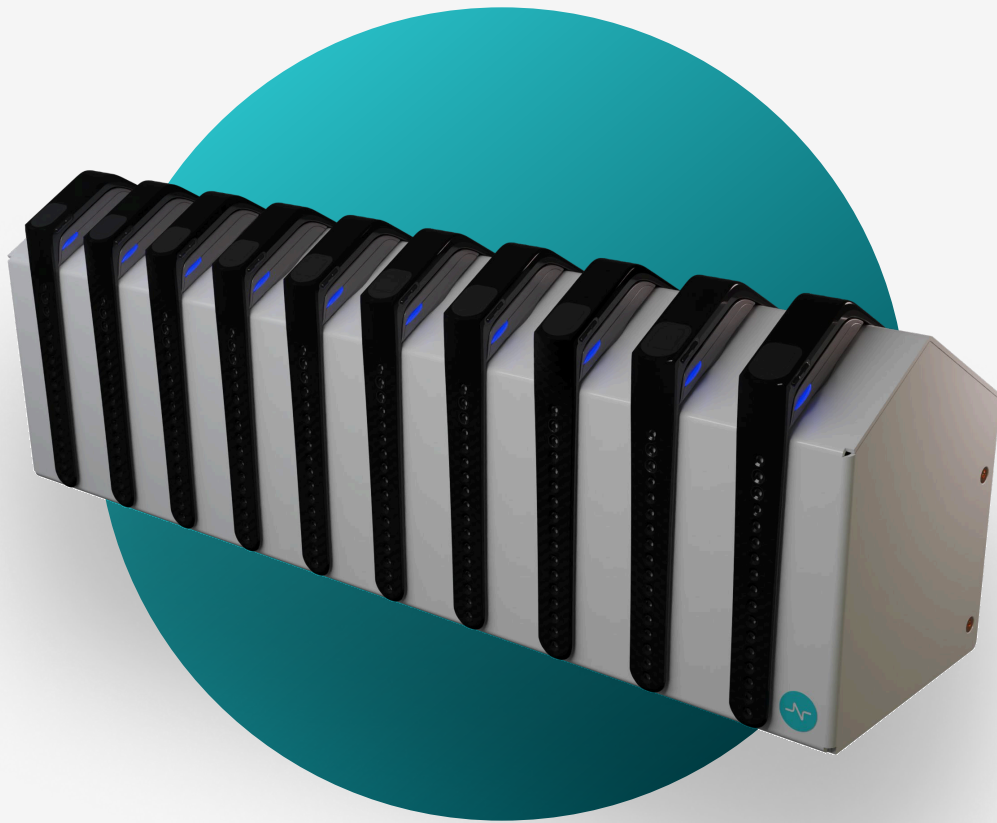


Optional

If mounting the Power House, attach the Back Plate to a suitable wall structure with appropriate hanging hardware before sliding on the Main Body

Finished!

Plug in and check to see that each cradle is receiving power (indicated by red LED light).



Note

The Power House is designed for indoor use and installation only. Clean as needed with isopropyl alcohol wipes. Do not use bleach.

Recommendations for Planning a Wall-Mounted Power House Station

↕ Vertical Spacing

No more than 5 Power Houses per column when arranged in a stack

Leave at minimum 10 inches between Power Houses (from bottom to bottom) for ease of viewing the display on Nymi Bands

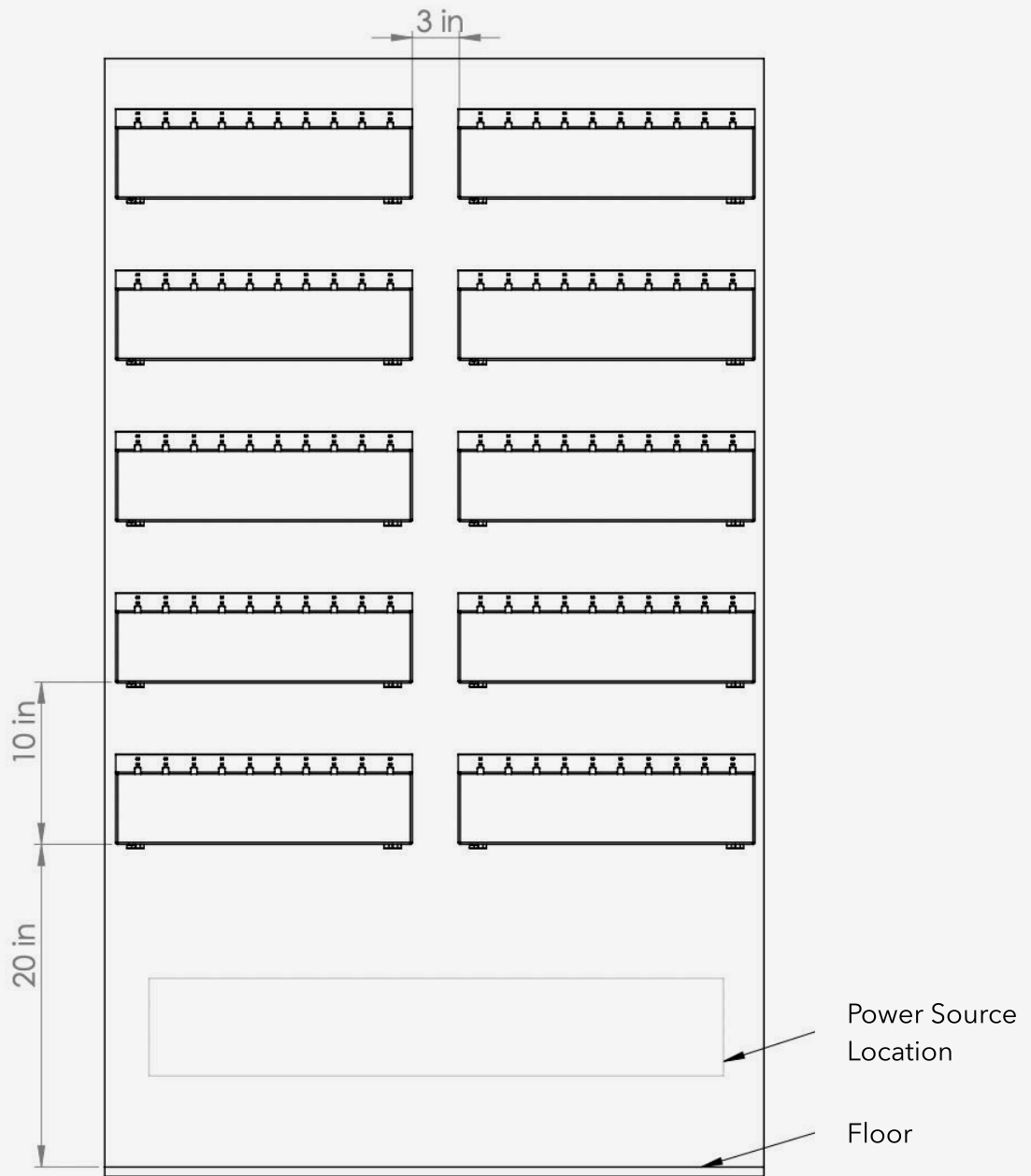
The bottom-most Power House in a column should be at least 20 inches away from the floor

↔ Horizontal Spacing

Leave at minimum 3 inches between Power Houses when arranged in a row for ease of cleaning

🔌 Power Source

The power source can be underneath the charging station area for easy access and all the wires will be out of the way



Wall mount instruction