



Nymi Band 4

Charging Recommendations Guide

December 12, 2025
Version 1.1

Table of Contents

Revision History2

Charging Overview.....3

 Nymi Band 4 Charging Requirements3

 Charging Indication4

Storage and Charging Recommendations5

Power House – Bulk Charging Solution.....6

Appendix: Charger Mounting Specification6

Revision History

Version	Date	Description
1	Dec 9, 2024	Initial draft of the document
1.1	December 12, 2025	Minor layout update to the document

Charging Overview

Nymi Band 4 Charging Requirements

You can charge the Nymi Band in one of two ways:

- Connecting the Nymi Band 4 to the charging Cradle. This is the method that you use with the Nymi Power House, an appliance that allows you to easily charge up to 10 Nymi Bands. The Nymi Power House Overview document provides more information.
- Plugging the Nymi Band 4 directly into the charging Cable. Use this method to perform administrative tasks such as downloading firmware logs or performing firmware updates.

A Nymi Band with a fully depleted battery takes about two hours to fully charge. A fully charged Nymi Band typically has a 3-day battery life based on 300 BLE or NFC taps over 10 hours per day.

To ensure that the Nymi Band charges in a timely manner and to maintain the longevity of the battery, charge the Nymi Band in temperature-controlled environment within the range of 15 to 30°C (59 to 86°F).

Nymi Band Charging Cradle

The charger for Nymi Band 4 is powered by a standard USB charging port. When the user connects the Nymi Band to the charger, the Nymi Band vibrates and the battery icon changes to indicate that the Nymi Band is receiving power.



Figure 1 - Nymi Band 4 charging cradle

Charging Indication

While a fully charged Nymi Band will typically last at least 3-days, it is recommended to store the Nymi Band on the charging cradle at the end of each shift to ensure that there will be sufficient charge the following day.

The Nymi Band is magnetically held on the charger and power is delivered by several charging pins.

If the Nymi Band is placed on the charging cradle in the incorrect orientation, the Nymi Band will not charge. Note that if the Nymi Band does not sit flush on the charging cradle, the screen of the Nymi Band will not light up.

When placed on the charging cradle, a Nymi Band takes **2 hours or less to fully charge**. To determine the state of charge, simply wake the Nymi Band by pressing the fingerprint sensor and observe how many bars appear on the battery icon. It is recommended that you wait until the battery icon displays two bars before using the Nymi Band to complete a 10-hour shift.



Figure 3 - Battery charge indication when off charger (left) and on charger (right)

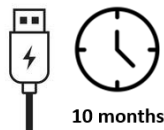
Storage and Charging Recommendations

Nymi Bands are shipped to customers with a minimum of 50% battery charge. If the devices are not deployed immediately and go into storage, please follow the best practices detailed below. In addition, if Nymi Bands are placed on charge for prolonged periods of time, ensure that care is taken in removing them after the period outlined below. If these recommendations are not followed, the Nymi Band batteries may experience a degradation in battery life.



1.1 Best Practices

- 1 Store the Nymi Band in a dry and temperature-controlled environment inside the range of 0°C to 45°C.



- 2 The Nymi Bands should be removed from storage and charged fully **every 10 months**. This ensures that the batteries do not discharge to very low levels while in storage, which may impact the overall battery life.

- 3 If Nymi Bands are stored **on-charger** for prolonged periods of time, ensure that they are removed within a **30-day period** (ie. 1 month) and returned into storage. Excess charging may cause an accelerated reduction in overall battery life.

Power House – Bulk Charging Solution

Nymi provides an off-the-shelf bulk charging solution called the Power House, a tabletop or wall-mountable solution that cradles and charges 10 Nymi Bands per unit. For more information, read the **Power House Overview** and the **Power House Quick Start Guide**.

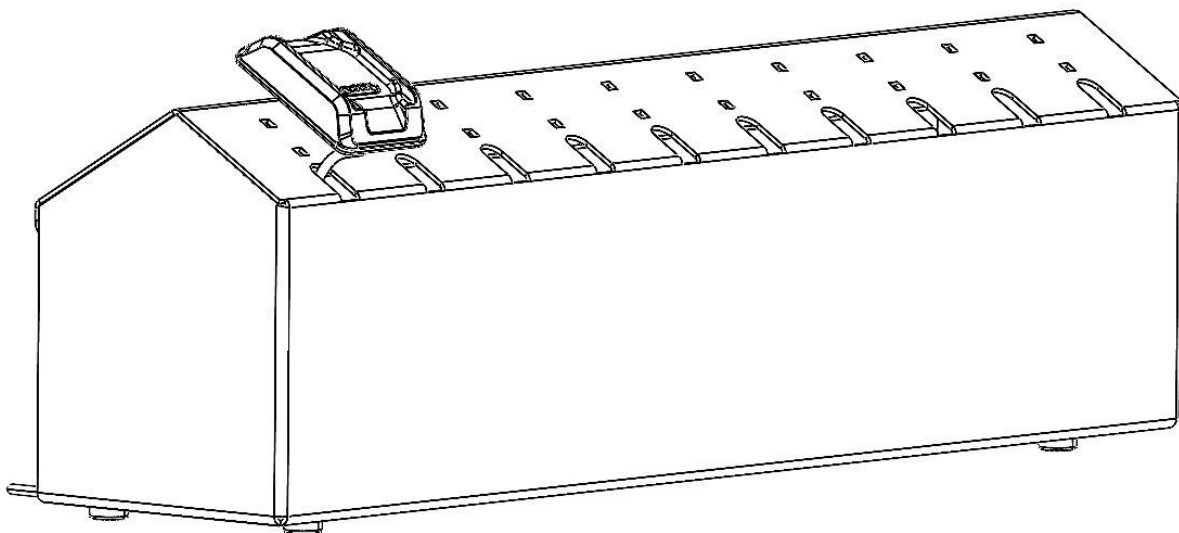
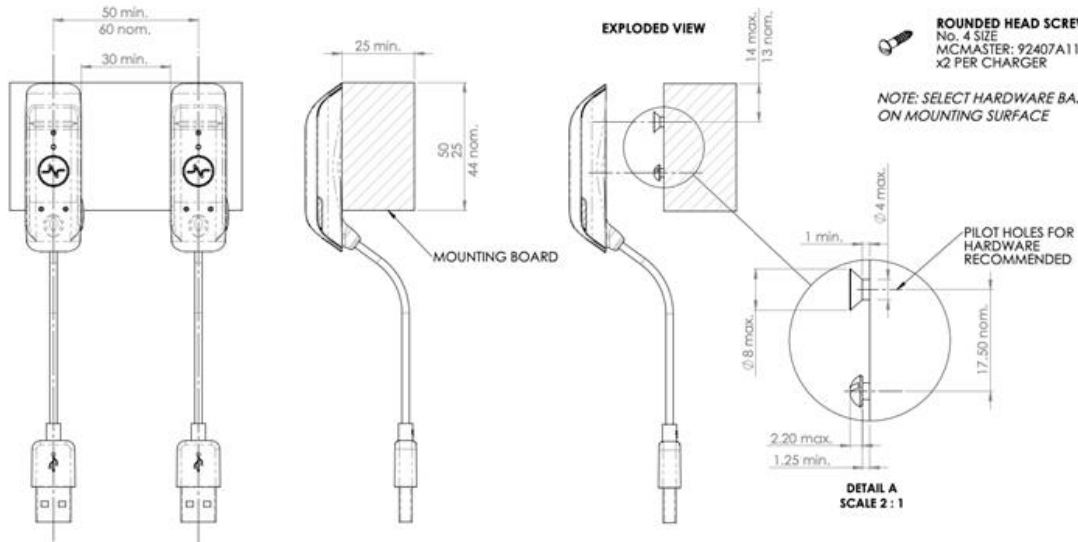


Figure 6 – Nymi Power House bulk charger

Appendix: Charger Mounting Specification

Note: All dimensions are in millimeters unless otherwise specified.

CHARGER MOUNTING SPECIFICATION GUIDE



SUGGESTED HARDWARE

FLAT HEAD SCREW
 No. 6 SIZE
 MCMMASTER: 90031A148
 X2 PER CHARGER

ROUNDED HEAD SCREW
 No. 4 SIZE
 MCMMASTER: 92407A110
 X2 PER CHARGER

NOTE: SELECT HARDWARE BASED ON MOUNTING SURFACE

NOTES:

1. DIMENSIONS SPECIFIED AS **X min.** ARE **MINIMUM** DIMENSIONS
2. DIMENSIONS SPECIFIED AS **Y max.** ARE **MAXIMUM** DIMENSIONS
3. DIMENSIONS SPECIFIED AS **Z nom.** ARE **RECOMMENDED** (NOMINAL) DIMENSIONS



CHARGER MOUNTING SPECIFICATION GUIDE
 2020-07-16
 v1.0

Copyright ©2025

Nymi Inc. All rights reserved.

Nymi Inc. (Nymi) believes the information in this document is accurate as of its publication date. The information is subject to change without notice.

The information in this document is provided as-is and Nymi makes no representations or warranties of any kind. This document does not provide you with any legal rights to any intellectual property in any Nymi product. You may copy and use this document for your referential purposes.

This software or hardware is developed for general use in a variety of industries and Nymi assumes no liability as a result of their use or application. Nymi, Nymi Band, and other trademarks are the property of Nymi Inc. Other trademarks may be the property of their respective owners.

Published in Canada.

Nymi Inc.

Toronto, Ontario

www.nymi.com